

# BVSF SERIES

## 2-PCSS BALL VALVE SEAL-WELDED

**Description:**

Sizes: 1/4" - 2" @ 2,000 NSCPW  
 2 1/2" - 4" @ 1,000 NSCPW

Bore: Full Port

Temperature: -50° ~ +375° F

End Connections: Female NPT

**Features:**

2-Piece Seal-Welded Body

Full Stainless Steel

Blow-out Proof Stem Design

Locking Handle

**Specifications:**

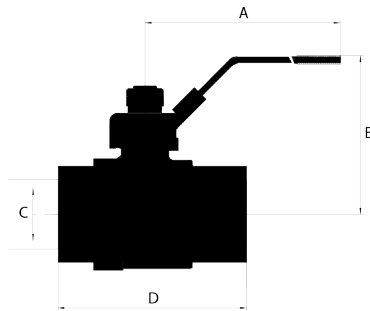
Inspection and Test per API 598

NPT Threads per ASME B1.20.1

Materials per NACE MR0175



[TITANFLOWPRODUCTS.COM](http://TITANFLOWPRODUCTS.COM)



PART	MAT'L	QTY
BODY	A351-CF8M	1
BALL	A182-F316SS	1
SEAT	RTFE	2
STEM	A276-316SS	1

Nominal size	A	B	C	D	PART NO.	BOX QTY.
1/4"	3.27	2.09	0.44	2.05	BV025SS2K	25
3/8"	3.27	2.09	0.49	2.05	BV038SS2K	25
1/2"	4.06	2.48	0.59	2.36	BV050SS2K	50
3/4"	5.94	2.83	0.79	2.80	BV075SS2K	25
1"	5.94	3.38	0.98	3.35	BV100SS2K	20
1-1/4"	7.64	3.93	1.26	3.84	BV125SS2K	10
1-1/2"	7.64	4.25	1.50	4.09	BV150SS2K	10
2"	7.64	4.85	1.99	5.00	BV200SS2K	4
2-1/2"	11.22	6.24	2.56	6.46		2
3"	11.22	7.27	3.15	7.09	BV300SS2K	2
4"	11.22	8.98	3.94	8.35		1

Call us : (587) 410 - 8373

8524 Roper Rd NW  
 Edmonton, Alberta  
 T6E 6V4