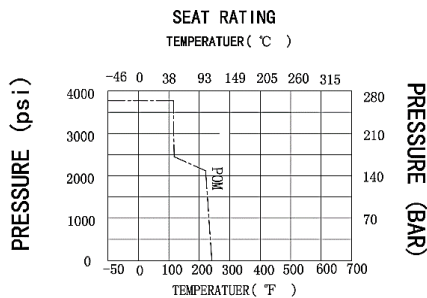
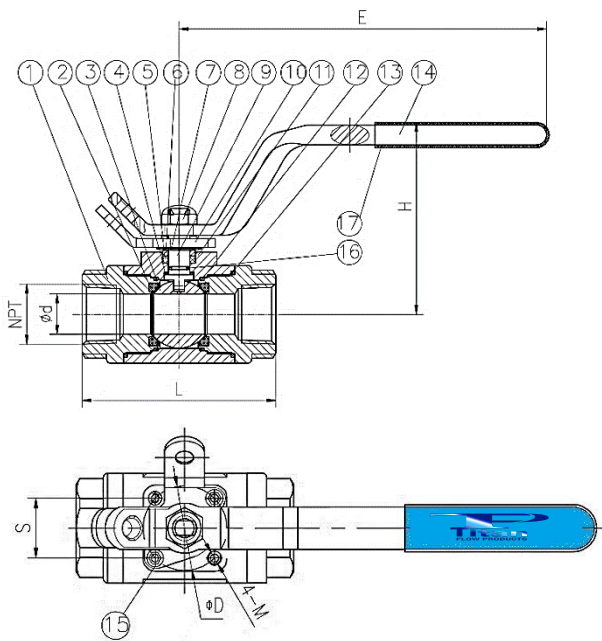


V308 SERIES

BALL VALVE - THREADED



®



KEY FEATURES:

- Sizes Available: 1/2" FP, 3/4" RP, 1"RP, 1-1/2" RP, and 2 RP"
- NACE MR0175
- 3 Piece Ball Valve
- 3000 PSI NSCWP
- FNPT Ends
- Fire Safe to API607, Inspect and Test Comply API598

No.	Part Name	Material	Qty.
1	End Cap	ASTM A350 LF2	2
2	Seat	DELRIN	2
3	Ball	ASTM A182 F316	1
4	Thrust Washer	DELRIN	1
5	Packing	Graphite	1
6	Gland	ASTM A276 304	1
7	Belleville Washer	SS304	1
8	Stem Nut	A2-70	1
9	Stem	ASTM A276 316	1
10	Lockhole Flange	ASTM A352 LCC	1
11	Body	ASTM A350 LF2	1
12	O-Ring	Viton GLT	2
13	Gasket	Graphite	2
14	Handle	ASTM A216 WCB	1
15	Bolt	ASTM A320 L7M	2
16	O-Ring	Viton GLT	1
17	Handle Cover	PVC	1

Dimensions / Units: Inch

Part No.	Size	Ød	ØD	L	H	E	S	M (mm)
BVF050S30L	1/2	0.50	1.42	3.86	3.62	6.49	1.4 2	M5
BVR075S30L	3/4	0.69	1.65	4.25	3.98	8.07	1.65	M5
BVR100S30L	1	0.88	1.65	4.25	4.13	8.07	1.65	M5
BVR150S30L	1-1/2	1.25	2.76	5.24	6.10	10.04	1.97	M8
BVR200S30L	2	1.50	2.76	6.26	6.97	12.20	2.76	M8



TITAN FLOW PRODUCTS INC
 8524 ROPER ROAD
 EDMONTON, ALBERTA T6E 6V4

CALL US: (587) 410-8373